

EXTERIOR SOLAR SHADES

COLLECTION

 **THOMPSON** | DIVISION OF
ARCHITECTURAL PRODUCTS | AMERICAN MADE
THOMPSONARCHITECTURALPRODUCTS.COM | AWNINGS OF HOLLYWOOD
954-963-7717

Welcome to Thompson Architectural Products

Exterior Solar Shades

*Embrace your surroundings with the protection and functionality of **Thompsons'** Exterior Screen Systems.*

Thompson Architectural Products a division of Awnings of Hollywood is dedicated to bringing both vitality and functionality to outdoor spaces. Combining renderings and vision your dreams become a reality with our in house fabrication here in Hollywood FL. We are here to help you with enhancing the operational charm of the outdoors of your home and creating liveable outdoor environments or assist with expanding the usable exterior of commercial establishemt. Thompsons Architectural Products has a solution to fit your needs.

Thompsons' extensive line of exterior shading systems can solve virtually every outdoor and indoor sun protection need and provides options for wind and rain protection. **Sleek designs and an advanced production process** as well as **leading technical partners** allow us to offer the very best in quality and design. Thompsons' versatile shade systems are ideal for all types of commercial and residential applications including offices, restaurants, and hotels.

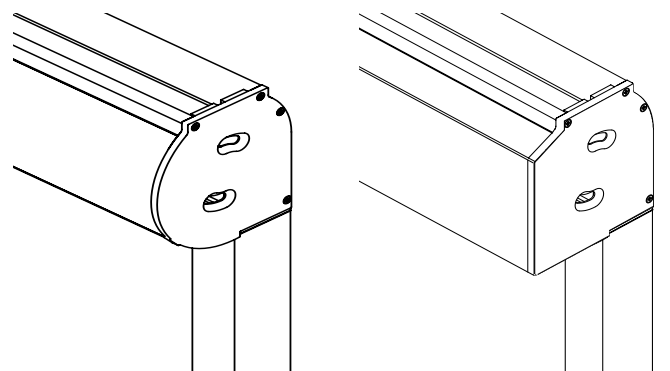
1. Intro & Contents
2. **TAP111**
4. **TAP135**
6. **Taero**
8. **Torzion**
10. Track Options
12. Fabric Options
15. Motor vs Manual
16. Systems at a Glance



TAP111

Our signature screen product, the TAP111, is our bestselling system that provides an assortment of practical and engaging enclosure options.

The TAP111, the shade industry's benchmark shading system, is manufactured and sold by Thompson Architectural Products and offers a variety of track options that include ShyZip (pg 11), Cable Guides or no guides at all. On interior applications only, the system can be used with Thompson's Blackout track option. The TAP111 is available manual, motorized, or automated to fulfill any screen control preference. It also has a special Square Front option instead of curved for the cassette*.



Standard Curved Front Option

Special Square Front Option

IDEAL APPLICATIONS:

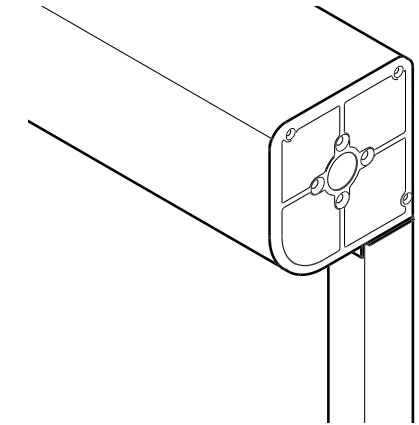
- Windows usually installed as an exterior application** (*versatile enough to be used as an interior shading system, especially when using ShyZip tracks and any blackout style fabric*)
- Garage door openings, making the garage a multi-use and insect free room**
- Patio covers to create an insect proof screened-in porch at the touch of a button**
- Blackout shades that provide the ultimate room darkening effect**
- Skylights** (*with use of Conston box tension design*)
- Outdoor restaurant dining areas**
- Outdoor smoking areas**
- Residential and commercial verandas**





TAP135

The TAP135, modeled after the industry's superior shading system, the TAP111, is used for unique larger and heavier screen applications. It is one of our larger enclosure systems and is primarily used for exterior applications requiring longer drops or wider widths.



Manufactured and sold by Thompson Architectural Products, the TAP135 offers even greater protection from the sun and the elements with its heavy-duty size and stability. It also can be supplied with the same track options as the TAP111 including the original ShyZip railing system (pg 11) and is available in longer drops and wider widths. Manual, motorized and automated control options are all also available.

IDEAL APPLICATIONS:

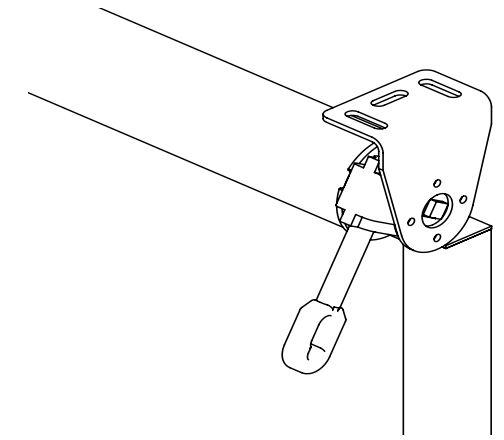
- Windows installed as an exterior application
- Garage door openings, making the garage a multi-use and insect free room
- Patio covers to create insect proof screened-in porches at the touch of a button
- Outdoor restaurant dining areas
- Outdoor smoking areas
- Residential and commercial verandas
- Larger widths and openings





Taero

Taero is an open roller system ideal for installation in recessed pockets. Our most functional basic shade accommodates any tracking and/or fabric option we offer. The Taero is one of our more versatile systems.



The Taero uses a heavy galvanized steel roll tube for the least amount of deflection, ease of maintenance and consistent quality performance. It may be ceiling or wall mounted. Exposed, weighted hem bar is standard with end plugs that allow for guiding the fabric on side cable guides. The hem bar and brackets are provided in colors to match a side track, such as ShyZip tracks (pg 11). Manual, motor or automated operations are available.

IDEAL APPLICATIONS:

- Windows, Installed as an exterior application.
- Garage door openings, making the garage a multi-use room
- Recessed pockets
- Patio covers
- Outdoor restaurant dining areas
- Outdoor smoking areas
- Residential and commercial verandas



Residential Taero



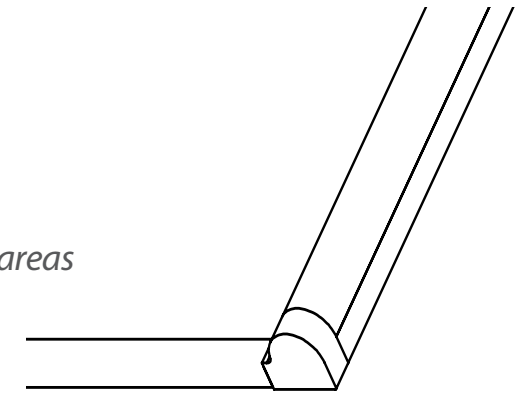
Residential Taero





Torizon

Thompsons Architectural Products Torizon is a unique answer to controlling the sun's harsh U.V. rays. It is a tensioned-cord, spring-loaded design that covers large areas with no center cord, supports, etc.



The Torizon system is designed for interior and exterior skylight shading, as well as mounting to existing structures for patio areas. It can also be used for larger bottom-up applications. It is capable of up to 195 square feet of coverage per individual unit. Multiple systems can also be adjoined for even greater coverage. The Torizon can be used with solar screening materials or acrylic fabrics, and with its constant tensioning design will provide years of maintenance free sun control.

IDEAL APPLICATIONS:

- Skylights
- Bottom-ups
- Atriums
- Sunrooms
- Any horizontal applications



Exterior Shade Track Option: No Track

Available for the TAP111, TAP135, and Taero systems, using no side-guides is simple and affordable.

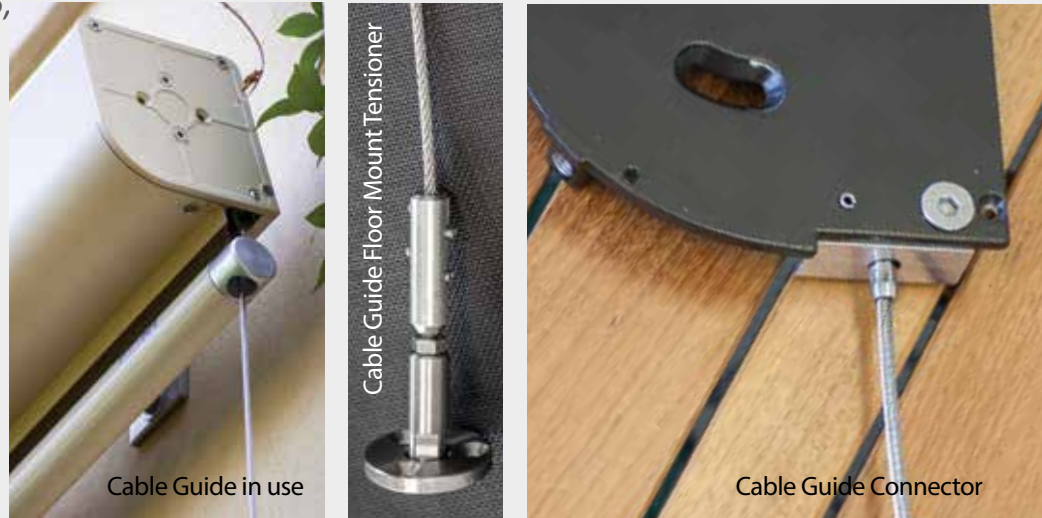
When complete enclosure is unnecessary and varying weather conditions are not an issue, using a shade without a track is an easy and affordable way to enjoy the simple comforts of solar protection. A hook option is available to clamp the bottom bar to the floor or wall.



Exterior Shade Track Option: Stainless Steel Cable Guide

Available for the TAP111, TAP135, and Taero systems, cable guides allows basic stability for the shade fabric.

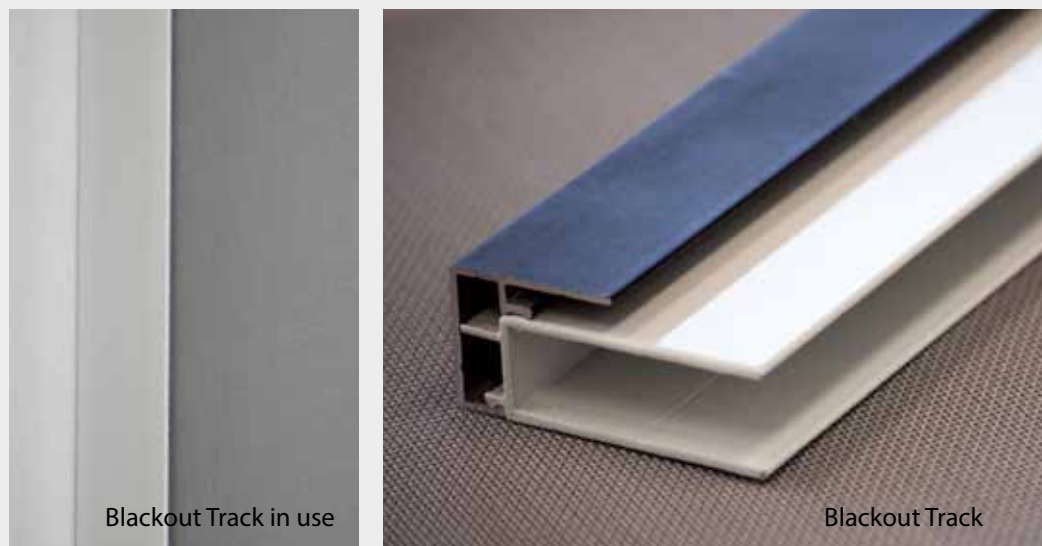
Cables are located on each side of the shade to stabilize the movement of the shade in windy environments and also can be used as a hold down for motorized shades. Cable tensioners are available for both floor and wall mount.



Exterior Shade Track Option: Blackout Track (When using TAP111 as INTERIOR ONLY)

Available when using the TAP111 as an interior shade, the Blackout Track is a simple way to reduce the light leaks around the edge of a shade fabric.

Black out Track rails only stabilize the bottom bar of the shade. The edge of the fabric on each side simply rests inside the track.



Exterior Shade Special Track Option: ShyZip Track

Available for the TAP111, TAP135, and Taero, the Shy Zip system is a proven method of locking solar shade fabrics into a side track, blocking out light, and minimizing excessive movement of the fabric.

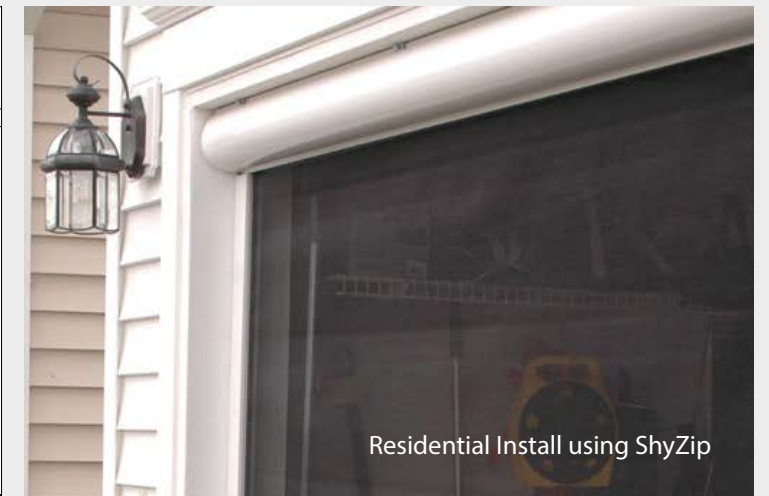


Even with excessive pressure directly applied to the fabric, the ShyZip System will remain tightly locked into the side tracks for fabric stability. Neoprene cushions placed between the PVC channel and the inside edge of the aluminum track relieves most of the tension from the zipper, maintaining a level bottom bar. Inside or outside mounted, ShyZip is easily installed onto most surfaces. With recess mounts, the ShyZip tracks are the only ones that can be installed with as little as 1/16" gap between the track and the wall.

IDEAL APPLICATIONS:

- Fabric Stability
- Light blocking when used in conjunction with opaque or blackout fabrics
- Insect control
- Noise reduction
- Skylights (with use of Conston box tension design)
- Light wind protection

**ShyZip is not wind-proof, use with precaution when operating in a windy environment*



Residential Install using ShyZip

ShyZip Bottom Bar Option: Add-on Weight Bar (For use with SHYZIP ONLY)

Available when using ShyZip to add necessary* weight to a shade for smoother functioning.

ADD-ON WEIGHT BAR

**It is only necessary to use a Shyzip Add-on Weight Bar on a clear vinyl window exterior shade system that is less than 9' wide.*



Fabrics

From the simplest insect screen to the most luxurious fiberglass fabric, Thompson Architectural Products offers a vast array of fabrics from the most reputable manufacturers in the industry: Tempotest® USA, Mermet®, Phifer®, and Ferrari® among others.

A selection of over 300 colors, styles and textures to choose from to personalize your TAP system depending on your needs, whether strictly technical, aesthetical or anywhere in between.

*Contact Thompson Architectural Products for fabric samples.

Exterior Shade Special Fabric Option: Clear Vinyl Windows

Clear Vinyl Windows allow you to enjoy your outdoor views while easily protecting and managing your surrounding environment from undesired weather, fluctuating temperatures, and irritating bugs.

Experience a more brilliant atmosphere with adjustable, energy efficient clear vinyl windows. These specialty windows when rolled down can resist hot and cold temperatures, deter unwanted bugs, and eliminate the worry of inclement weather. Exceptional quality double polished clear vinyl presents a sleek and lustrous crystal clear finish that when used with the various options of Thompson Architectural Products Exterior Shade Systems, creates unique control over outdoor spaces extend the enjoyment of your surroundings.

*Note on standard & Fire Resistant Clear Vinyl Windows: TAP uses as standard Non-Fire Resistant Clear Vinyl. If Fire Resistant is needed, please note that canvas will stick more to itself due to the technical characteristics of Fire Resistant Vinyl. All Clear Vinyl is not covered by warranty.

IDEAL APPLICATIONS:

- Outdoor spaces with a great view and unpredictable weather
- Wind & vapor barriers
- Insulation
- Insect control
- Noise reduction



Tempotest® USA Acrylic Fabric



Tempotest® fabrics integrate perfectly in any outdoor space creating a protection from the sun's UV rays, as well as adding a touch of color and elegance. Tempotest® is the leading acrylic awning fabric collection with the most comprehensive assortment of color options for screens and awnings, designed to fit any life style. Tempotest® also offers a Home Fabric collection that can be used to upholster outdoor furniture to compliment any outdoor living space.

The quality of the solution dyed fiber and the innovative finishing Teflon® Extreme by Parà® fabric protector, make Tempotest® fabrics water/oil repellent, resistant to mold, stains, salt and U.V. fading.

Important collaborations with companies of the highest level has led to the creation of special and exclusive products that Parà® uses to reach the highest goals.

BENEFITS:

- Most comprehensive collection of stylish colors to choose from
- Protection from the sun's harsh UV rays
- Long term strength and durability
- Fade resistant solution dyed fiber
- Teflon® Extreme fabric coating protection
- Easy maintenance
- Certified by the highly respected authorities



Tempotest® USA has a stunning selection of solid color acrylic fabrics applicable for clear vinyl window borders or full exterior screen coverage. These fabrics are created for solar protection and custom style.



Restaurant Patio Windows Using ShyZip and Clear Vinyl Windows



Ferrari® Précontraint Solar Fabrics



With a wide range of colors and patented précontraint technology, Ferrari fabrics have a lot to offer when it comes to solar protection and exterior shading. Ferrari® STAM®, 502, and 602 fabrics are available for use on full coverage screens or as borders for clear vinyl windows for screens.

BENEFITS:

- Patented Précontraint Technology
- Long Term Flexibility and Strength
- UV and Temperature Protection
- Full Screen Coverage or Clear Vinyl Window Border
- Wide range of colors

Fabrics continued...

MERMET

Mermet® Solar Fabrics

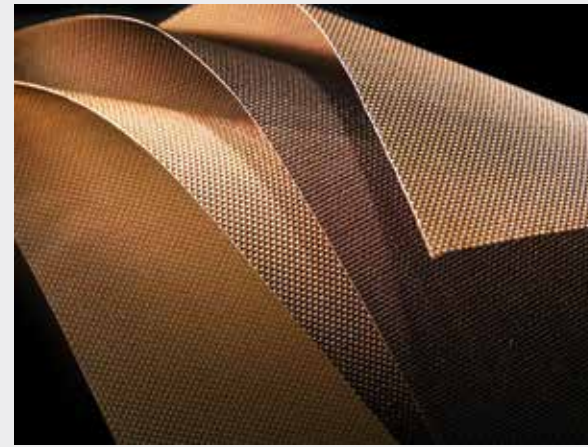
Mermet's "Fabrics for Life™" begin with everyday life in mind, whether at home, in the office, hospitality or healthcare. Our state-of-the-art weaving process creates designer fabrics which function beautifully to maintain the view while efficiently managing the effects of the sun.

Mermet® offers over 500 fabric options for interior and exterior applications, ranging from transparent, to translucent, to blackout.

A variety of openness factors from 0% to 14% offer varying degrees of privacy, view through, glare control and heat protection.

Mermet's innovative, functional fabrics are designed for solar protection, energy savings, pleasing visual aesthetics and acoustical comfort.

Mermet® fabrics are GREENGUARD® certified and fire rated to NFPA 701 standards.



BENEFITS:

Innovative, functional and designed for solar UV and heat protection

Wide range of opacity options

Varying degrees of privacy options

Energy savings

View and glare control

Pleasing visual aesthetics



Phifer® Solar Fabrics

Natural light can be a beautiful design element with a little sun management. Elegantly managing heat and glare from the sun can be accomplished with Phifer® SheerWeave® sun control fabrics.

Phifer® SheerWeave's light-filtering qualities diffuse light, reduce glare and help control solar heat gain to make any room a more comfortable environment. SheerWeave® also offers a wide range of opennesses.

BENEFITS:

Reduce interior fading

Improve energy efficiency

Light colors reflect the sun's rays

Dark colors improve outside view & maximize glare reduction

Variety of openness factors available

Microban® antimicrobial product protection



Motor vs Manual

Operating exterior shading systems with a motor and adding automation features such as a Sun Sensor, Wind Sensor or even integrating the Shade Motor with a home automation protocol is extremely common and has been an option for several decades. A motor is simply one of the most reliable components of a screen system. The fact the technology has been in use for over thirty years and has only become more reliable is justification for adding a motor to your exterior screen.



WHY MOTORIZED?

Simplified, easy operation. Push button operation by remote control or wireless wall switch.

Access. On a high exterior window, motorization may be the only method to operate the screen. Or, a very tall or exceptionally large screen, motorization may be the only method of effective operation.

Value. When screens are motorized, they are actually used more often because they are so easy to operate.

Efficiency. Rather than manually operating each screen, motorized screens are easy and quick to operate, especially with two or more exterior screen systems.

Automation. Sensors to provide for optimum solar protection can be added to automatically operate the screens when the sun becomes visible.

Lifestyle. More and more features in homes and buildings are automated.

Price. The cost of adding a motorized solution to your exterior screen is not a significant cost in terms of the overall cost of the screen and high quality solar protection fabrics.

Reliability. The motors offered today have the latest technology that has been developing for over 30 years in Europe. The functionality and warranties offered today make this an easy purchasing decision.

Eco-friendly. More and more systems and features are becoming available with solar powered options.

WHY MANUAL?

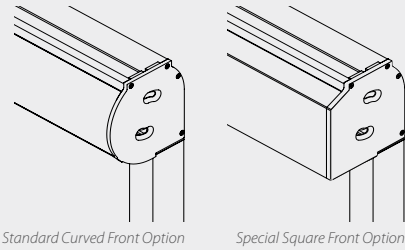
Budget. While motorized screen prices continue to head downward, a manually operated screen can still save you money. This is a no frills, least expensive method to add solar and insect protection to your outdoor environment.

No electricity available to allow for a motorized screen.

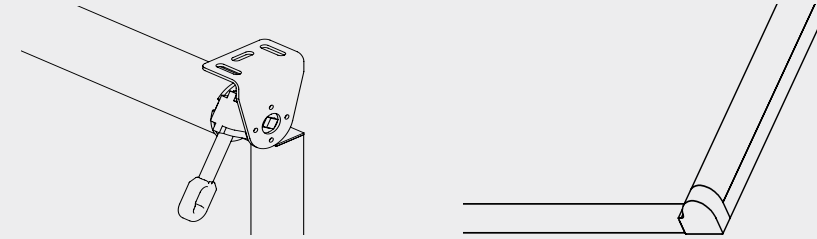
Eco-friendly. No electricity used is not necessarily a bad thing.

Thompson offers both  and  brand motor options.

Systems at a Glance

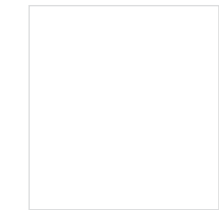


	TAP111	TAP135
SCREEN WIDTH RANGE	MIN: 3' (36") MAX: 18' (216")	MIN: 3' (36") MAX: 18' (216") <i>*Can be made up to 21' (252") with Insect, Tuffscreen, Supersolar & Vienne Fabrics only.</i>
SCREEN WIDTH RANGE WITH CLEAR VINYL	MIN: 3' (36") MAX: 16' (192")	MIN: 3' (36") MAX: 16' (192")
SCREEN DROP RANGE	MAX: 16' (192") 3:1 Drop to Width max ratio	MAX: 16' (192") 3:1 Drop to Width max ratio
SCREEN DROP RANGE WITH CLEAR VINYL	MIN: 4' (48") MAX: 9' (108")	MIN: 4' (48") MAX: 9' (108")
SCREEN DROP RANGE WITH SHYZIP	MIN: 3' (36") MAX: 12' (144") 3:1 Drop to Width max ratio	MIN: 3' (36") MAX: 16' (192") 3:1 Drop to Width max ratio
FRAME FINISH COLORS* <i>*Special and custom finishes available on most systems for additional charges.</i>	White, Clear Anodized, Desert Sand, Mocha & Dark Bronze	White, Clear Anodized, Desert Sand, Mocha & Dark Bronze
HEAD BOX/CASSETTE DETAILS	4.75" tall Round cassette head box standard option. 4.76" tall Square Front cassette head box special option.	5.25" tall Square cassette head box with slightly contoured/rounded front section.
SYSTEM APPLICATIONS	Our signature exterior screen product, used on applications for windows, patio enclosures or garage door openings for the purpose of sun control, wind and rain, and for instantly keeping insects out of a specific area.	A larger heavier-duty version of our signature exterior screen product, is also used on bigger applications for windows, patio enclosures or garage door openings for the purpose of sun control, wind and rain, and for instantly keeping insects out of a specific area.
SYSTEM CONSTRUCTION	Aluminum, stainless steel & nylon components	Aluminum, stainless steel & nylon components
WIND RESISTANCE	Class 3 rating	Class 3 rating
TRACK OPTIONS	Proprietary ShyZip, INTERIOR Blackout tracks	Proprietary ShyZip
CABLE GUIDE OPTIONS	3mm stainless steel stranded cable with anchor system.	3mm stainless steel stranded cable with anchor system.
METHOD OF OPERATION	Motorized options. Detachable hand crank (including magnetic clip or, if wider than 10' - awning gear). Through-wall indoor operated crank. Motorization required if greater than 16' (192") width.	Motorized options. Detachable hand crank (including magnetic clip or, if wider than 10' - awning gear). Through-wall indoor operated crank. Motorization required if greater than 16' (192") width.
FABRIC OPTIONS	Screen Fabric Collection includes fabrics from Tempotest® USA, Mermet®, Phifer®, Serge Ferrari®, and more.	Screen Fabric Collection includes fabrics from Tempotest® USA, Mermet®, Phifer®, Serge Ferrari®, and more.
MOUNTING OPTIONS	Wall, ceiling	Wall, ceiling
RETRACTED SYSTEM DIMENSIONS	6.75" to 7.25"	7.25" to 7.75"
AUTOMATION OPTIONS	Wind & Sun, Wind protection, Timers, Home Automation Integration.	Wind & Sun, Wind protection, Timers, Home Automation Integration.
WARRANTY	FIVE (5) YEARS	FIVE (5) YEARS
MOTOR & CONTROL WARRANTY	FIVE (5) YEARS	FIVE (5) YEARS



	TAERO	TORIZON
SCREEN WIDTH RANGE	MIN: 3' (36") MAX: 18' (216")	MIN: 5' (60") MAX: 15' (180")
SCREEN WIDTH RANGE WITH CLEAR VINYL	MIN: 3' (36") MAX: 16' (192")	MIN: 5' (60") MAX: 15' (180")
SCREEN DROP RANGE	MAX: 16' (192") 3:1 Drop to Width max ratio	MAX: 15' (180") - Depending on Projection
SCREEN DROP RANGE WITH CLEAR VINYL	MIN: 4' (48") MAX: 9' (108")	NOT AVAILABLE
SCREEN DROP RANGE WITH SHYZIP	MIN: 3' (36") MAX: 16' (192") 3:1 Drop to Width max ratio	NOT AVAILABLE
FRAME FINISH COLORS* <i>*Special and custom finishes available on most systems for additional charges.</i>	White, Clear Anodized, Desert Sand, Mocha & Dark Bronze	White is standard. Special and Custom colors are available at a surcharge.
HEAD BOX/CASSETTE DETAILS	Open roll - no cassette/head box.	5.5" Semi-rounded cassette profile.
SYSTEM APPLICATIONS	This is an "Open-Roll" system that is good for value-engineering a project or a new construction application where shade pockets are pre-constructed to eliminate the need for more expensive box enclosures. May also be used for oversized interior projects.	A Skylight shade system that is produced with a proprietary track system and box enclosure. Used for medium to large roof skylights, pergolas or atriums for sun control or room darkening properties. May be used as an interior application. <i>Only available motorized.</i>
SYSTEM CONSTRUCTION	Galvanized steel tube & powder coated brackets	Aluminum, stainless steel & nylon components
WIND RESISTANCE	Class 3 rating	Class 3 rating
TRACK OPTIONS	Proprietary ShyZip	System standard track only
CABLE GUIDE OPTIONS	3mm stainless steel stranded cable with anchor system.	NOT AVAILABLE
METHOD OF OPERATION	Motorized options. Detachable hand crank (including awning gear). Motorization required if greater than 16' (192") width.	Motorized only.
FABRIC OPTIONS	Screen Fabric Collection includes fabrics from Tempotest® USA, Mermet®, Phifer®, Serge Ferrari®, and more. Wall, ceiling	Screen Fabric Collection includes fabrics from Tempotest® USA, Mermet®, Phifer®, Serge Ferrari®, and more. Wall, ceiling, roof, horizontal
MOUNTING OPTIONS	6.75" to 7.25"	8.75"
RETRACTED SYSTEM DIMENSIONS	Wind & Sun, Wind protection, Timers, Home Automation Integration.	Wind & Sun, Wind protection, Timers, Home Automation Integration.
AUTOMATION OPTIONS	FIVE (5) YEARS	FIVE (5) YEARS
WARRANTY	FIVE (5) YEARS	FIVE (5) YEARS
MOTOR & CONTROL WARRANTY	FIVE (5) YEARS	FIVE (5) YEARS

Standard Frame Color Reference



White



Clear Anodized



Desert Sand



Mocha



Dark Bronze

Special Frame Color Reference

*check for availability and pricing



Corten*



Titanium*



Anthracite*

Thompson Architectural Products
5828 Washington Street
Hollywood, FL 33023

T 954 963 7717

TF 954 963 0519

TFF 888 745 3671

E info@ThompsonAP.com

W www.ThompsonAP.com